



VIGOR PRECISION LTD.

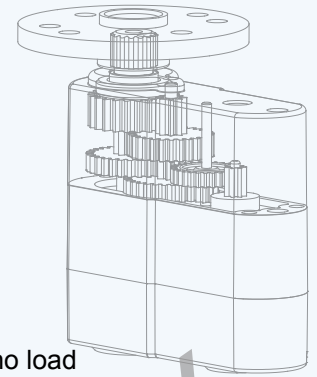
力嘉精密有限公司

VS-12M SERVO

FOR REFERENCE

TECHNICAL DATA

Control System:	Pulse width control, 1500µs neutral	
Operating Voltage:	4.8V~6.0V (DC)	
STD Direction:	Counter clockwise/pulse traveling 800 to 2200 µsec.	
Test Voltage:	at 4.8V	at 6.0V
Operating Speed:	0.14sec/60° at no load	0.12sec/60° at no load
Stall Torque:	≥1.5kgf.cm(20.83oz/in)	≥1.7kgf.cm(23.61oz/in)
Running Current:	~0.10A	~0.20A
Stall Current:	~0.50A	~0.60A
Output Angle:	≥145°	
Dead Band Width:	5µsec	



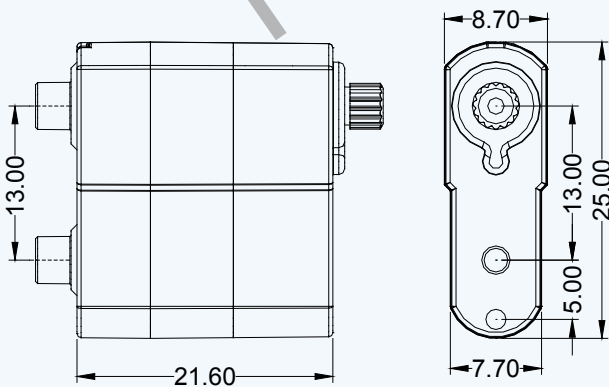
FEATURES

Motor Type:	Coreless Motor
Potentiometer Life:	500,000 cycles
Bearing:	2pcs Copper Bush
Gear Material:	Resin and Metal
Spline Horns:	Spline type for HITEC style
Connector Wire Length:	100mm(3.94in) 28AWG(Connector for FUTABA or JR style)
Special Feature:	Design for mini Robot

DIMENSIONS

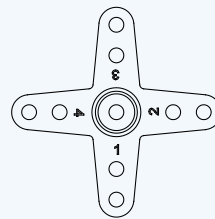
Size :	25.0×8.70×21.6mm(0.98×0.34×0.85in)
Weight:	8.0g (0.28 oz)

CASE AND HORN DRAWING

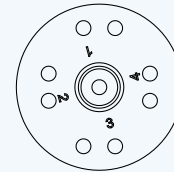


STD ACCESSORIES:

- Horn Screw × 1pc
- Cross Horn "C" × 1pc
- Circular Horn "C" × 1pc
- Single side Horn "C" × 1pc



Cross Horn "C"



Circular Horn "C"

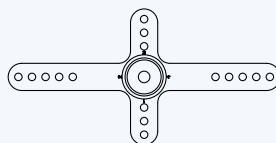


Single side Horn "C"

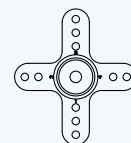
OPTION ACCESSORIES:



Double Sided Horn "L"



Cross Horn "G"



Cross Horn "F"

REMARKS:

